

## Accessories



General representation



Fire  
Protection

## Manual Reset Latching Device

### Description

A spring-loaded, manual reset latching device, applicable for service on deluge and pre-action valve trims. In the "Ready" position, the DMR prevents draining of the deluge valve's control chamber, keeping the deluge valve closed. Once the deluge valve is actuated, the DMR shifts to its "Latched-Open" position, allowing draining of the control chamber and latching open the deluge valve. Manual resetting is accomplished by holding the DMR's knob until the deluge valve has closed.

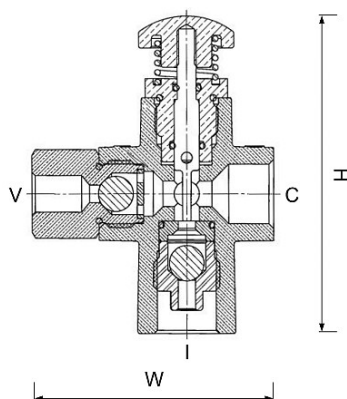
### Certification & Compliance

UL Listed (when installed on OCV control valves)



### Features & Benefits

- Available in Brass (Standard) & Stainless Steel 316
- Simple design & maximal dependability
- Tough & durable construction



### Operation

General		
Pressure Rating	25 bar / 360psi	
Fluid Temperature	80°C max / 175°F max	
Weight	0.91 kg / 2 lbs	
Materials	Standard	Optional*
Body & Bonnet	Brass	Stainless Steel
Stem	Stainless Steel	--
Spring	Stainless Steel	--
Ball	Viton®	--
Elastomers	NBR	--
Dimensions		
H (Height) max	102 mm / 4"	
W (Width)	77 <sup>3</sup> / <sub>10</sub> " mm / 3"	
Port	Size	Connection
I	1/2" NPT	Priming Line
C	1/2" NPT	Control Chamber Actuating Device
V	--	Exhaust

\*Other materials available upon request. Minimum quantities may apply.