



Electric ON/OFF Control Valve

Description

The Dorot Series 300 Electric ON/OFF Control Valve ('S300-EL') is an automatic, solenoid (or motorized ball valve) control valve, activated by the pressure of the pipeline. The valve controls by an electric current or an electric pulse, opens or closes the main valve. The standard valve is supplied in the "normally closed" position. The "normally open" position is optional. Electric activation can be added to other control applications on request.

Where to use it

- In pressure management applications in water supply systems used in mining
- In distribution systems for zone isolation
- As emergency shut-off valve
- In tanks or reservoirs for level control applications

Features and Benefits

Superb performance	<ul style="list-style-type: none"> • 'Floating', low-friction internal-trim design, guided by a unique LPT® device.
Reduced periodic inspection / maintenance labor	<ul style="list-style-type: none"> • The control-trim is fitted with a HIGH-CAPACITY control-filter suitable for industrial applications. • For non-clean solutions, a full port motorized ball valve is used (instead of a solenoid valve) • Easy in-situ adjustment and maintenance.
High reliability	<ul style="list-style-type: none"> • All control ports are fitted with SST sleeves for preventing corrosion-blockage. • High Kv (Cv) control loop accessories for clogging prevention. • Pre-shaped reinforced diaphragm – for easier assembly and improved longevity.
Versatility	<ul style="list-style-type: none"> • A standard and simple single-chamber valve design, provides smooth operation. • Conversion to a double chamber is a simple and economical option.

Electric ON/OFF Control Valve



Technical Specifications

Size Range	1½"/40mm - 40"/1000mm – Flanged 1½"/40mm - 6"/150mm - Grooved 1½"/40mm - 2"/50mm – Threaded
Working Pressure	Maximum: 16 bar (250 psi) / 25 bar (360 psi) Minimum: 0.3 bar (5 psi)
Testing Pressure	1.5 times maximum working pressure
Materials	Body: Ductile Iron (standard); Cast Steel, Stainless Steel, Super Duplex (optional) Elastomers: EPDM (standard), Viton (optional)

Upon ordering, please specify size, working pressure, thread/flange standard and type of fluid

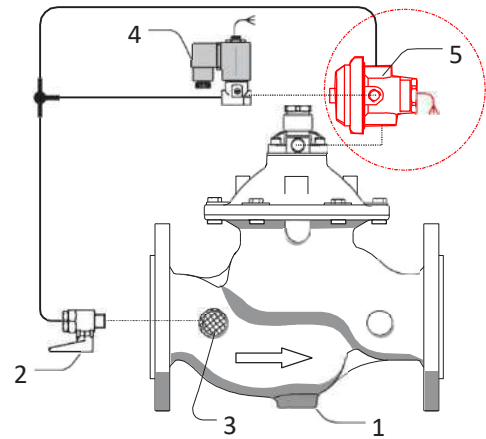
Quick Sizing

- Valve sized to be the same as line-size or one nominal-size smaller.
- Maximum recommended flow velocity for continuous operation 5.5 m/sec (18 ft/sec)

Main Control System Components*

1. Main Valve
2. Ball Valve
3. Self-flushing Filter
4. 3 / 2 Solenoid Valve (or motorized ball valve)
5. 66-210 Relay - Above size 8"

* Indicative drawing



Typical Installation

