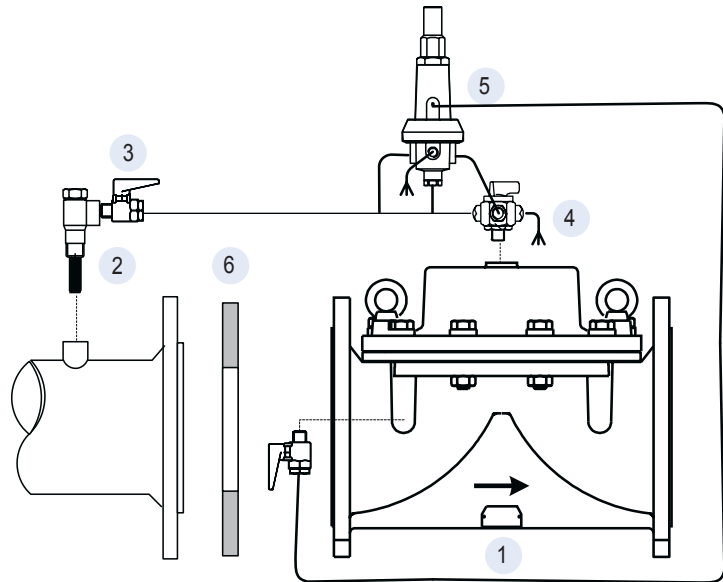


Flow Control Valve



Description

The valve limits the flow rate in the network to a preset value regardless of upstream pressure variations. The valve fully opens when the flow rate drops below the set point.

Features

- Accurate, stable control
- Simple and reliable design
- Low losses when the demand is lower than the set flow

Purchase Specifications

The valve will be hydraulic, direct sealing diaphragm type, which allows inline maintenance. No stem, shaft or guide bearing will be located within the water passage. The valve will be activated by the line pressure or by an external hydraulic or pneumatic pressure. The valve will be operated by a pressure reducing differential pilot valve for controlling the flow through the main valve, regardless of pressure variations. The valve and the controls will be a Dorot Series 100 valve or similar in all aspects.

Quick Sizing

- Valve size same as line or one size smaller
- Maximum flow speed for continuous operation 5.5 m/sec (18 ft/sec)

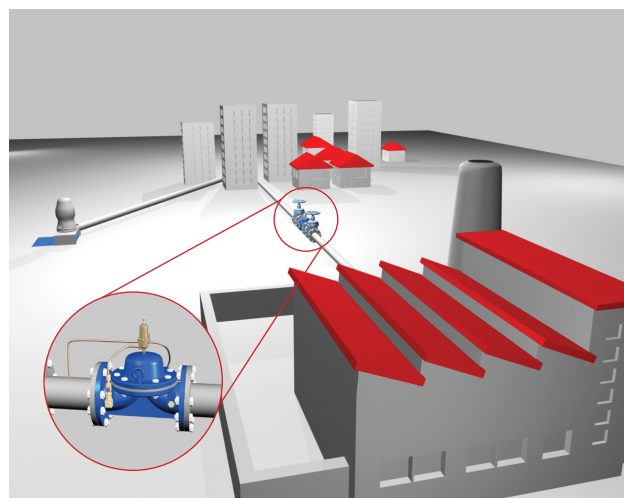
Design Considerations

- A 1/2" pressure sensing port should be provided, upstream of the valve
- Check for possible cavitation conditions and consult Dorot in case such conditions are expected
- An additional pressure loss of about 2.5 mwc is created by the orifice plate (at the set flow)

Optional Control System Components:

- 1 Main Valve
- 2 Self-flushing filter
- 3 Cock valve*
- 4 Manual over-ride selector valve*
- 5 3-way differential pilot valve (other types are optional)
- 6 Orifice plate

* Optional component



Typical Application

Dorot Flow Control Valve limits the flow to a specific customer.