

# DOROT S300-FL

**Aquestia**  
Directing the Flow



Waterworks

## Modulating Float Valve

### Operation

The Dorot Series 300 Modulating Float Valve ('S300-FL') is activated by the pressure of the pipeline. The valve will modulate to maintain a steady, predetermined level in the reservoir and will keep a drip-tight close position in case the level is higher than the float-pilot location.

### S300 Features

#### Superb performance

- Regulates at a stable mode, regardless of valve-size, down to near-zero flow. Thus, eliminating the need for a special low flow plug-design (such as 'V-port') or a bypass valve.
- 'Floating', low-friction internal-trim design, guided by a unique LPT® device.

#### High reliability

- All control ports are fitted with SST sleeves for preventing corrosion-blockage.
- Pre-shaped reinforced diaphragm – for easier assembly and improved longevity.

#### Reduced periodic inspection / maintenance labor

- The control-trim is fitted with a self-flushing, inline control-filter.
- Easy in-situ adjustment and maintenance.

#### Versatility

- A standard and simple single-chamber valve design, provides smooth operation. Conversion to a double chamber is a patented option.

### Standard Materials

- Body & Cover – Ductile Iron  
Optional – Cast Steel, SST, N.A.B, S.Duplex
- Main Internal – SST (1.5"-6), Coated Steel (8"-32")  
Optional – Cast Steel, SST, N.A.B, S.Duplex
- Elastomers – EPDM  
Optional – NBR, Neoprene, Viton or others
- Coating – Polyester, Epoxy / Optional – Halar and others
- Control Trim – Brass, PA / Optional – SST316, Duplex

### Purchase Specifications

- The valve will be hydraulic, pilot-operated globe type.
- Face-to-face length dimension meets ISO 5752 Standard.
- The stem will be guided at the top by a replaceable guide bearing and at the bottom by a stainless steel unique LPT® device.
- The valve will regulate any flow within the specified range without the need for a smaller bypass valve or throttling plug.
- All control ports will be corrosion free protected by stainless steel 316 inserts

### Design Considerations

- The valve should be suited for the maximal flow and allowed Headloss.
- In case upstream pressure may drop below the required set pressure, select a 4-way control pilot.
- Large pressure differentials may cause cavitation damage. Consult Dorot for solutions if such conditions are expected.

## Quick Sizing

- Valve sized to be the same as line-size or one nominal-size smaller.
- Maximum recommended flow velocity for continuous operation 5.5 m / sec (18 ft. / sec).

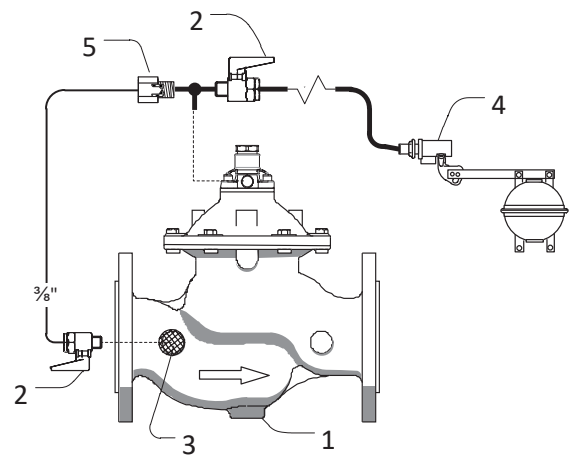
## Pressure Rating

- Model 30, 30A for medium pressure (PN16 bar / 250 psi)
- Model 31, 31A for high pressure (PN25 bar / 360 psi)

## Main Control System Components\*

1. Main Valve
2. Ball Valve
3. Self-flushing Filter
4. 2W FL Pilot Valve
5. Orifice

\* Indicative drawing



## Typical Installation

Typical applications include a Modulating Float Valve Model S300-FL. The valve will modulate to maintain a steady, predetermined level in the reservoir. (Integrated features such as flow control, cavitation and water hammer protections are available)

