

DOROT S300-EC

Aquestia
Directing the Flow



Waterworks

Electronic Control Valve

Operation

Dorot Series 300 Electronic Control Valve ("S300-EC") is an automatic, solenoid control valve, activated by the pressure of the pipeline. The valve is controlled by the versatile DOROT "ConDor" controller that enables all control functions, or combination of functions, at extreme accuracy. Can be controlled by any pulse-activating controller.

S300 Features

Superb performance

- Regulates at a stable mode, regardless of valve-size, down to near-zero flow. Thus, eliminating the need for a special low flow plug-design (such as 'V-port') or a bypass valve.
- 'Floating', low-friction internal-trim design, guided by a unique LPT® device.

High reliability

- All control ports are fitted with SST sleeves for preventing corrosion-blockage.
- Pre-shaped reinforced diaphragm – for easier assembly and improved longevity.

Reduced periodic inspection / maintenance labor

- The control-trim is fitted with a self-flushing, inline control-filter.
- Easy in-situ adjustment and maintenance.

Versatility

- A standard and simple single-chamber valve design, provides smooth operation. Conversion to a double chamber is a patented option.

Standard Materials

- Body & Cover – Ductile Iron
Optional – Cast Steel, SST, N.A.B, S.Duplex
- Main Internal – SST (1.5"-6), Coated Steel (8"-32")
Optional – Cast Steel, SST, N.A.B, S.Duplex
- Elastomers – EPDM
Optional – NBR, Neoprene, Viton or others
- Coating – Polyester, Epoxy / Optional – Halar and others
- Control Trim – Brass, PA / Optional – SST316, Duplex

Purchase Specifications

- The valve will be controlled by an electric solenoid valves and DOROT "ConDor" Controller.
- Face-to-face length dimension meets ISO 5752 Standard.
- The stem will be guided at the top by a replaceable guide bearing and at the bottom by a stainless steel unique LPT® device.
- All control ports will be fitted with stainless steel sleeves for preventing corrosion-blockage.

Design Considerations

- The valve should be suited for the maximal flow and allowed Headloss.
- Large pressure differentials may cause cavitation damage. Consult Dorot for solutions if such conditions are expected.

Quick Sizing

- Valve sized to be the same as line-size or one nominal-size smaller.
- Maximum recommended flow velocity for continuous operation 5.5 m / sec (18 ft. / sec).

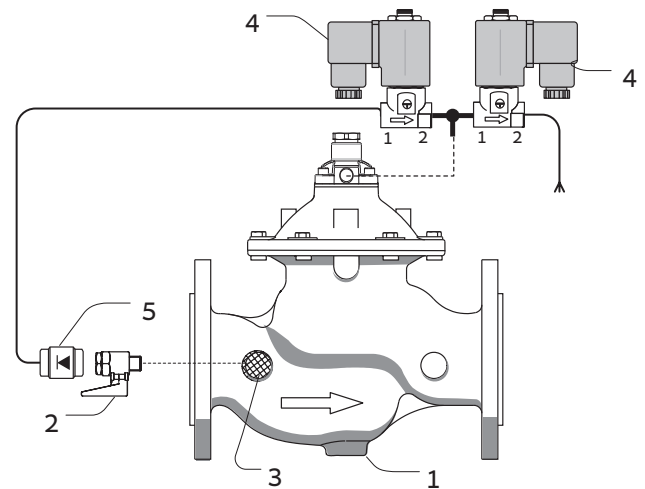
Pressure Rating

- Model 30, 30A for medium pressure (PN16 bar / 250 psi)
- Model 31, 31A for high pressure (PN25 bar / 360 psi)

Main Control System Components*

1. Main Valve
2. Ball Valve
3. Self-flushing Filter
4. 2 / 2 Solenoid Valve
5. Check Valve

* Indicative drawing



Typical Installation

The EC Valve, activated by the DOROT "ConDor" Controller, enables all control functions, or combinations of functions, at extreme accuracy. The EC Valve can be controlled by any pulse-activating controller.

