

# A.R.I. RP-501



Waterworks

## Backflow Preventer


### Description

A.R.I. RP-500, A.R.I. RP-501, are Backflow Preventer Valves designed to provide maximum protection against backflow caused by back-siphonage or backpressure. Backflow may cause infiltration of chemicals, fertilizers and/or other pollutants into potable water systems. Comprised of two independent, easily replaceable, capsulated spring-loaded check valves. An internal 'reduced pressure' zone, located between the check valves, ensures optimal protection and reliable performance of the pressure-relief valve.

### Installation

- Chemical and fertilizer systems in landscape and irrigation.
- Swimming pools
- Small Business
- Private Homes
- According to local regulations

## Features and Benefits

Easily replaceable modular parts	Simple, quick and inexpensive maintenance, low-cost repair parts
Construction materials	UV resistant, non-corrosive, scale resistant and durable
Lightweight and compact	Easy and quick installation, fits in confined spaces
 NSF/ANSI 61 Certified & Listed NSF/ANSI 372 Certified & listed	for Drinking Water System Component
	for Lead-Free product
Product Standards	ASSE 1013, AWWA C511, Watermark
USC - Authorized and Approved	USC - FCCHR: Foundation for Cross-Connection Control and Hydraulic Research at the University of Southern California

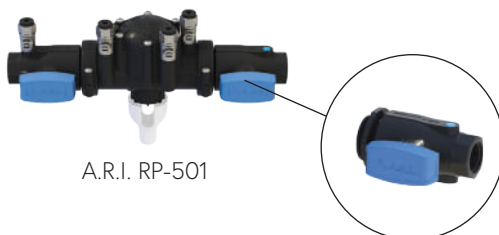
## Technical Specifications

Size range	½", ¾", 1", 1 ¼", 1 ½", 2"
Working pressure range	150 psi
Testing pressure	1.5 times maximum working pressure
Temperature	Working temperature range : 33° F - 120° F Max intermittent temperature: 140° F

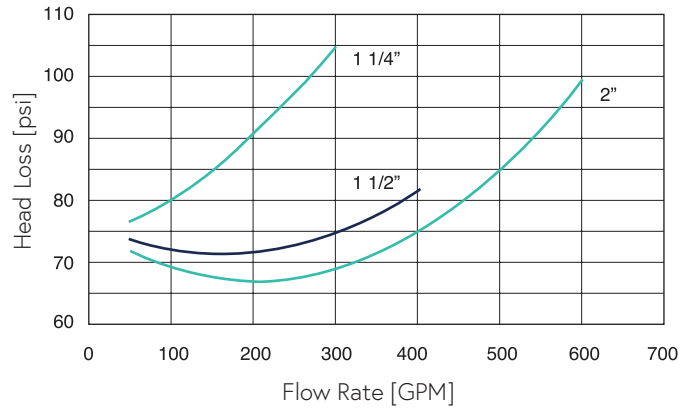
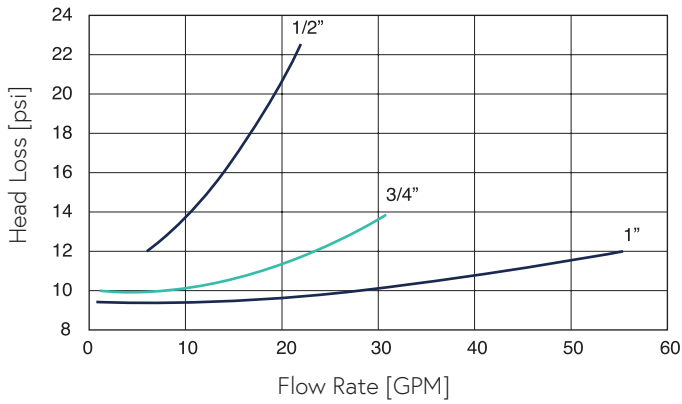
Upon ordering, please specify: model, size, working pressure, thread/flange standard and type of liquid

## Valve Selection Options

Models	A.R.I. RP-500 Shut-off valves + connector A.R.I. RP-501 Shut-off valves with union connection
Valve connection	Threaded NPT - ANSI B1.20.1



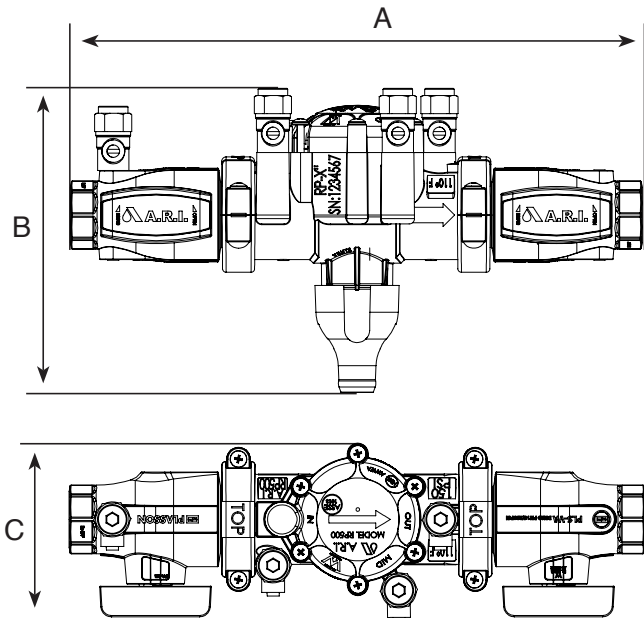
## Head Loss



## Dimensions and Weight

Size	Dimensions (Inch)			Weight Lbs.
	A	B	C	
<b>A.R.I. RP-501</b>				
1/2"	12.60	6.69	3.94	3.06
3/4"	12.60	6.69	3.94	3.04
1"	14.17	6.69	3.94	3.11
1 1/4"	18.27	9.57	5.91	7.61
1 1/2"	20.47	9.57	5.91	8.93
2"	22.83	9.57	5.91	9.04

<b>A.R.I. RP-500</b>				
1/2"	14.02	6.69	3.94	3.04
3/4"	14.02	6.69	3.94	3.02
1"	15.35	6.69	3.94	3.57
1 1/4"	19.69	9.57	5.91	7.94
1 1/2"	22.05	9.57	5.91	9.48
2"	23.62	9.57	5.91	9.90



## Parts List and Specifications

No.	Part	Material
1	Cover Assembly	
1a	Bolts	Stainless Steel 304
1b	Cover	Reinforced nylon
2	Relief Valve Assembly	
2a	Relief Valve	Acetal + EPDM
2b	Spring	Stainless Steel 302
3	Check Valve Assembly	
3a	Inlet Check Valve	Acetal +Stainless Steel 302+EPDM
3b	Retainer	Acetal
3c	Outlet Check Valve	Acetal +Stainless Steel 302+EPDM
4	Body Assembly	
4a	Body	Reinforced nylon
4b	Test Cocks	Lead free Brass
4c	Band	Reinforced nylon
5	Ball Valve Assembly	
5a	Inlet Ball Valve + Test Cock	Reinforced nylon+ Lead free Brass
5b	Outlet Ball Valve	Reinforced nylon
6	Funnel	Acetal

