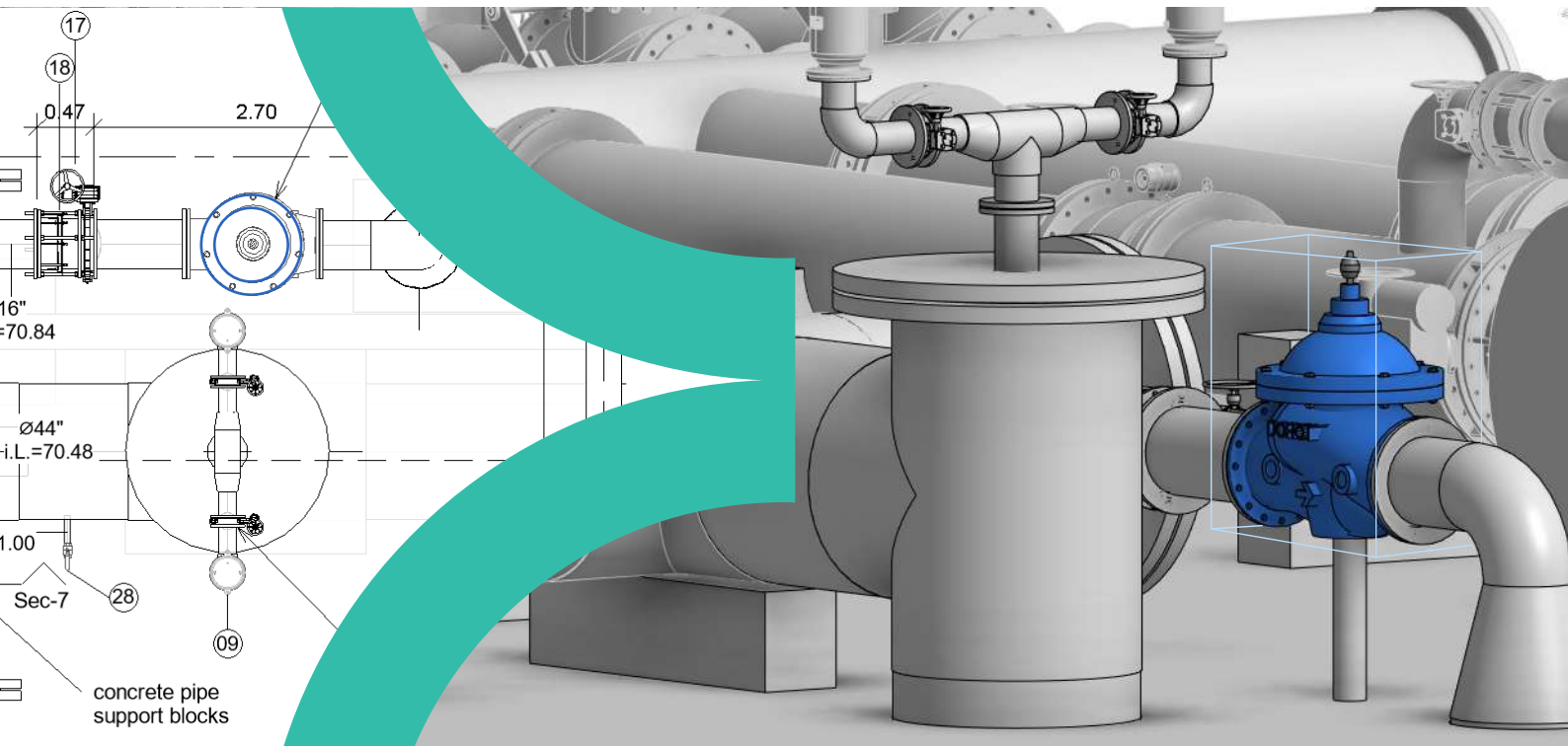


Aquestia's upgraded & improved BIM files for key products

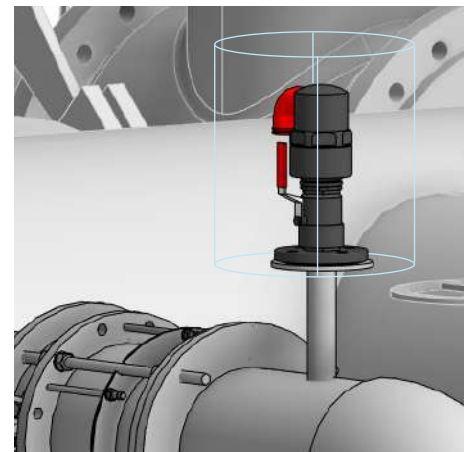


Model by Pavel Kravtsov, Telem Engineers - irrigation project in Nigeria

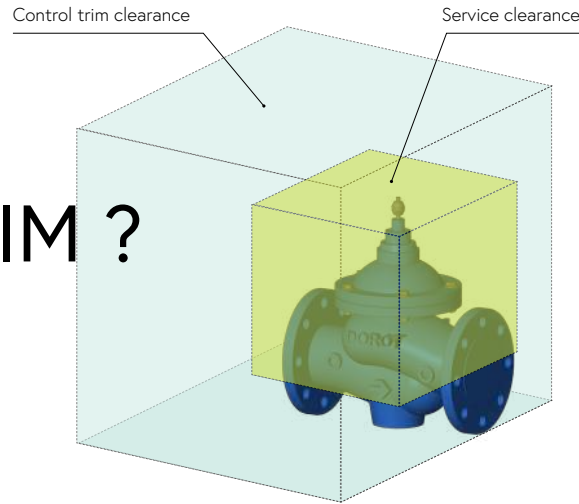
As an ongoing mission to support our engineering and design firm communities around the world, Aquestia has developed BIM models for Revit®. These are detailed parametric family ("RFA") models dedicated to our world renowned DOROT fire protection hydraulic control valve lines - the Series 300 and 68 models. They are freely available together with BIM models of DOROT Hydraulic Control Valves and A.R.I.'s popular combination air valve family, for further segments such as waterworks and wastewater.

Always committed to embracing new technologies and anticipating market needs, Aquestia was one of the first companies to release BIM files for Hydraulic Control Valves. Since then, we've been listening to the input and needs of the increasing numbers of partners and customers using our models in their projects, and continuously exploring ways to improve their usability and productivity.

We are proud to make our unique models publicly available for download, while we work on our new models.



What is BIM ?



Building Information Modeling (BIM) is a process of creating and managing digital representations of physical and functional characteristics of a built environment. Used extensively in water infrastructure projects, in several countries it is already mandatory when planning for government agencies.

Aquestia BIM models can be used by water utilities to create 3D models of their infrastructure and systems, enabling them to improve efficiency, reduce costs, and increase accuracy in their operations. Engineers can use BIM models to create 3D models of buildings and other structures, enabling them to visualize and analyze their designs, before construction begins.

In the water industry, BIM is used to:

Enhanced Efficiency

Improved Accuracy

Reduced Costs

Create new plans

with managed infrastructure streamline design and construction processes

Generate detailed reports and analytics

make informed decisions about operations

Create 3D models of water systems

quickly identify potential problems and develop solutions

Create 'digital twins' of water systems

enable real-time management and fast response to any changes

Allow optimal maintenance and servicing

The construction matches the design, allowing for easy access and eventual service tracking

Aquestia's offering

Aquestia currently offers six new BIM models for our leading hydraulic and air valves.

	Combination Air Valve models		Hydraulic Control Valve models	
Lightweight intuitive parametric models	Yes		Yes	
Available models and diameters	A.R.I. D-040	½", ¾", 1", 2"	DOROT S68	2" - 10"
	A.R.I. D-060	1" - 10"	DOROT S100 Straight Models	¾" - 24"
	A.R.I. D-23	3" - 8"	DOROT S100 Angle Models	1½" - 6"
	A.R.I. D-26	2" - 8"	DOROT S300	1½" - 24"
	A.R.I. D-025	2" - 4"	DOROT S500	2" - 6"
Automatic valve sizing to pipe diameter	Yes		Yes	
Easily create and export a detailed Bill-Of-Materials ("Schedule")	Yes		Yes	
Available end-connections	Flanged, Threaded, Tapped		Flanged, Threaded, Grooved	
Product technical data	Multilingual product catalogs, IOMs, images, product drawings, certifications, online data		Multilingual product catalogs, purchasing specifications, IOMs, image certifications, online data	
Clearance	Maintenance clearance indication		Control trim and maintenance clearance indication	
Additional technical data	-		"Weight, cover water displacement Kv, Cv & K data, incl. max. recommended continuous and intermittent flow rates"	
Trim	Not Relevant		Numerous common control trim options for waterworks and fireprotection	

To find out more about Aquestia's BIM models, contact us at bim@aquestia.com, or download the models directly from <https://www.dorot.com/engineering-hub/engineers-library/aquestia-bim-library>

[contact us](#)

[download](#)



Directing the Flow

Advanced hydraulic solutions for optimal management of liquid conveyance systems

Aquestia is a world leader in providing optimal solutions for surge protection, water loss reduction and pressure management, by integrating uniquely developed products with innovatively designed software. Bringing together three strong brands - A.R.I., DOROT and OCV – we combine decades of experience, a wealth of knowledge and expertise, and a wide range of solutions and services. We are where liquid flows, serving customers in segments that include waterworks and wastewater systems, irrigation, fire protection, mining, ballast water, desalination, commercial plumbing, aviation fueling, oil & gas, and more.

Aquestia – high-quality, reliable products and committed service - for your peace of mind.